

|             |                      |
|-------------|----------------------|
| 1/5         | BENZIN - HATTRICK    |
| 2004        | PETROL - HATTRICK    |
| Rev20060112 | Tondeuses - HATTRICK |



40 BHT - Art. 64106H



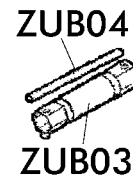
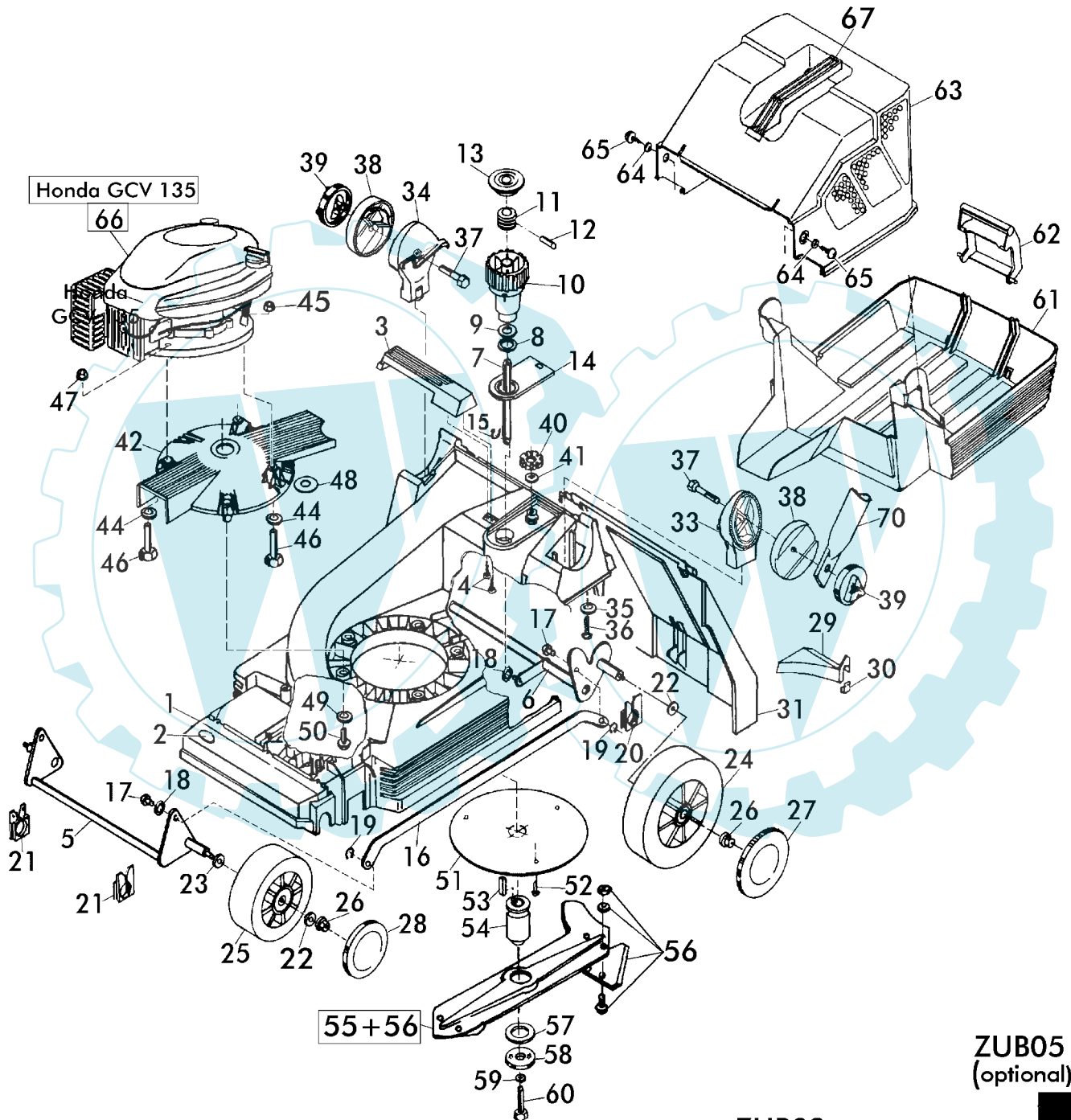
BENZIN - HATTRICK  
 PETROL - HATTRICK  
 Tondeuses - HATTRICK



GEHÄUSE, MOTOR & ANBAUTEILE  
 CHASSIS, MOTOR & COMPONENTS  
 CHASSIS, MOTEUR & COMPOSANTS

**40 BHT - Art. 64106H**



2004




ZUB05  
 (optional)



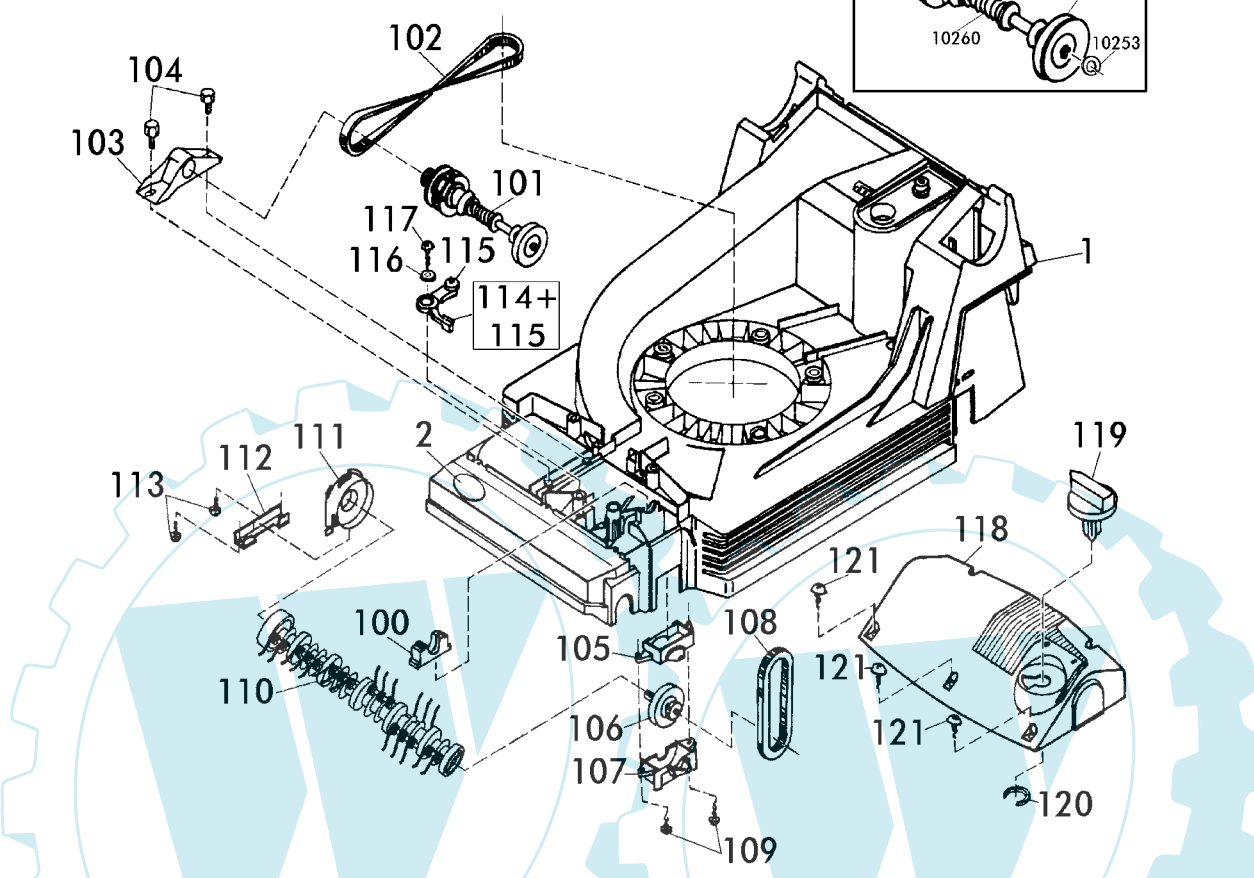
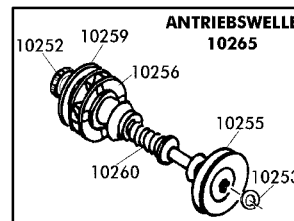
| 2/5                          | BENZIN - HATTRICK                   |                               |  | 40 BHT - Art. 64106H   |  |
|------------------------------|-------------------------------------|-------------------------------|--|------------------------|---|
| 2004                         | PETROL - HATTRICK                   |                               |  |                        |   |
| Rev20060112                  | Tondeuses - HATTRICK                |                               |  |                        |   |
| Bild Nr.<br>REF.N°<br>POS.N° | BEST.-NR.<br>PART-N°<br>N° d. PIECE | BEZEICHNUNG                   | DESCRIPTION  | Anzahl<br>Qty.<br>Qte. |   |
| 1                            | 12888                               | GEHÄUSE BH 40                 | CHASSIS 40 BH  | 1                      |   |
| 2                            | 10571                               | BRILL-LOGO (KUNSTSTOFFPLATTE) | BRILL-LOGO PLATE   | 1                      |   |
| 3                            | 08602                               | GEHÄUSEGRIFF                  | CHASSIS GRIP   | 1                      |   |
| 4                            | 06806                               | SCHRAUBE DIN 7976-B6,3x25     | SCREW DIN 7976-B6,3x25   | 2                      |   |
| 5                            | 10983                               | VORDERACHSE 40 EH/BH KPL      | FRONT AXLE ASSY.   | 1                      |   |
| 6                            | 10976                               | HINTERACHSE 40/46 KPL         | REAR AXLE ASSY. 40/46  | 1                      |   |
| 7                            | 10386                               | ZUGSTANGE RAL 7021            | HEIGHT ADJUSTMENT ROD  | 1                      |   |
| 8                            | 08610                               | LAGERSCHEIBE                  | WASHER   | 1                      |   |
| 9                            | 08781                               | O-RING 36x2                   | O-RING 36x2  | 1                      |   |
| 10                           | 13252                               | VERSTELLKNOPF, LOSE           | ADJUSTMENT KNOB  | 1                      |   |
| 11                           | 08606                               | VERSTELLBOLZEN                | ADJUSTMENT BOLT  | 1                      |   |
| 12                           | 08607                               | ZYLINDERSTIFT DIN 7 - 10x22   | PIN DIN 7 - 10x22  | 1                      |   |
| 13                           | 08609                               | DECKEL RAL6001                | COVER RAL6001  | 1                      |   |
| 14                           | 08276                               | BLENDE, BEDRUCKT              | COVER PLATE printed  | 1                      |   |
| 15                           | 08670                               | SI-RING DIN471-A8,0x0,8       | CIRCLIP  | 1                      |   |
| 16+17                        | 10436                               | VERBINDUNGSSTANGE 40 KPL      | CONNECTION ROD ASSY. 40  | 1                      |   |
| 17                           | 10427                               | ZUGBOLZEN                     | BOLT   | 2                      |   |
| 18                           | 08399                               | FEDERSCHEIBE DIN 137-B8,4     | SPRING WASHER  | 3                      |   |
| 19                           | 10574                               | SI-RING D6799-6               | CIRCLIP  | 2                      |   |
| 20                           | 09027                               | LAGERSCHALE, HINTEN           | REAR AXLE BEARING HPUSING  | 2                      |   |
| 21                           | 09028                               | LAGERSCHALE, VORNE            | FRONT AXLE BEARING HPUSING   | 2                      |   |
| 22                           | 08319                               | TELLERFEDER DIN 2093-C25      | DISK SPRING  | 4                      |   |
| 24                           | 08274                               | HINTERRAD D=195 mm KPL.       | REAR WHEEL 195 ASSY.   | 2                      |   |
| 25                           | 11302                               | LAUFRAD, VORNE D=165 KST-LG   | FRONT WHEEL 165mm ASSY.  | 2                      |   |
| 26                           | 08427                               | RIPPMUTTER M8-KI.10           | RIPP NUT M8 KL.10  | 4                      |   |
| 27                           | 08601                               | RADKAPPE, HINTEN 195          | REAR WHEEL CAP   | 2                      |   |
| 28                           | 08600                               | RADKAPPE VORNE 165            | FRONT WHEEL CAP  | 2                      |   |
| 29                           | 10016                               | SCHWELLE, GEKÜRZT             | SLIDE GUIDE 40   | 1                      |   |
| 30                           | 09304                               | KLAMMER Z.SCHWELLE 40         | CLAMP  | 3                      |   |
| 31                           | 12807                               | HECKKLAPPE RAL 6001           | REAR FLAP RAL 6001   | 1                      |   |
| 33                           | 10986                               | DREHGELENK LINKS              | PIVOT LINK LEFT  | 1                      |   |
| 34                           | 10987                               | DREHGELENK RECHTS             | PIVOT LINK RIGHT   | 1                      |   |
| 35                           | 07500                               | SCHEIBE S 9021-A8,4x25x3      | WASHER S 9021-A8,4x25x3  | 2                      |   |
| 36                           | 06807                               | SCHRAUBE D7976 63382          | SCREWD7976 63382   | 2                      |   |
| 37                           | 09316                               | SKT-SCHRAUBE DIN 931-8X60     | SCREW DIN 931-8X60   | 2                      |   |
| 38                           | 10985                               | RASTSCHEIBE LOSE              | Self-aligning washer   | 2                      |   |
| 39                           | 08287                               | GELENKSPANNGRIF               | LINK MOUNTING GRIP   | 2                      |   |
| 40                           | 10442                               | SKALENRAD (30-80) BESCHR.     | SCALE WHEEL 30-80  | 1                      |   |
| 41                           | 08782                               | O-RING 12,1x2,7               | O-RING 12,1x2,7  | 1                      |   |
| 42                           | 10240                               | MOTORFLANSCH GCV              | MOTOR SUPPORT GCV  | 1                      |   |
| 44                           | 06465                               | SCHEIBE DIN 125-A8,4          | WASHER   | 3                      |   |
| 45                           | 06684                               | SKT-MUTTER M8                 | HEX NUT M8   | 1                      |   |
| 46                           | 09316                               | SKT-SCHRAUBE DIN 931-8X60     | SCREW DIN 931-8X60   | 3                      |   |
| 47                           | 08427                               | RIPPMUTTER M8-KI.10           | RIPP NUT M8 KL.10  | 2                      |   |
| 48                           | 09681                               | PA-ISOLIERSCHEIBE 0,2         | PA-WASHER 0,2  | 5                      |   |
| 49                           | 07500                               | SCHEIBE S 9021-A8,4x25x3      | WASHER S 9021-A8,4x25x3  | 5                      |   |
| 50                           | 09893                               | SCHRAUBE DIN 7500 8x25 mB     | SCREW DIN 7500 8x25 mB   | 5                      |   |
| 51                           | 10385                               | ABDECKSCHEIBE RAL 7021        | COVER PLATE  | 1                      |   |
| 52                           | 06823                               | SCHRAUBE DIN 7981-4,2x22      | SCREW DIN 7981-4,2x22  | 3                      |   |
| 53                           | 02713                               | WOODRUFF-KEIL 5/32x51         | WOODRUFF KEY   | 1                      |   |
| 54                           | 10562                               | MESSERFLANSCH 40 BH           | BLADE FLANGE 40 BH   | 1                      |   |

| 3/5                          | BENZIN - HATTRICK                   |                                |  | 40 BHT - Art. 64106H   |  |
|------------------------------|-------------------------------------|--------------------------------|--|------------------------|---|
| 2004                         | PETROL - HATTRICK                   |                                |  |                        |   |
| Rev20060112                  | Tondeuses - HATTRICK                |                                |  |                        |   |
| Bild Nr.<br>REF.N°<br>POS.N° | BEST.-NR.<br>PART-N°<br>N° d. PIECE | BEZEICHNUNG                    | DESCRIPTION  | Anzahl<br>Qty.<br>Qte. |   |
| 55 + 56                      | 09017                               | MESSERTRÄGER 40 KPL.M.MONTIERT | BLADE ASSY. 40 CPL.  | 1                      |   |
| 56                           | 70002                               | DREIECKMESSERSATZ KPL.         | TRIANGULAR CUTTER BLADES SET   | 1                      |   |
| 57                           | 08740                               | REIBSCHEIBE                    | FRICTION DISK  | 1                      |   |
| 58                           | 08654                               | SPANNSCHEIBE, LACK. RAL2002    | SAFTEY WASHER  | 1                      |   |
| 59                           | 06460                               | SCHEIBE DIN 125-A10,5          | WASHER   | 1                      |   |
| 60                           | 10447                               | SPANNSCHRAUBE S 933-38212      | TENSION SCREW S 933-38212  | 1                      |   |
| 61                           | 09049                               | FANGBOX-UNTERTEIL 40 + 46      | LOWER GRASS CATCHER PART   | 1                      |   |
| 62                           | 08786                               | KLEMMGRIFF RAL2002, LOSE       | CLAMP GRIP   | 1                      |   |
| 63                           | 08278                               | FANGBOX-OBERTEIL M.GRIFF       | UPPER GRASS CATCHER PART   | 1                      |   |
| 64                           | 06839                               | SCHEIBE DIN 9021-A6,4          | WASHER   | 2                      |   |
| 65                           | 08667                               | BLECHSCHRAUBE DIN 7981-B6,3x19 | SCREW  | 2                      |   |
| 66                           | 11324                               | V-MOTOR Honda GCV 135          | PETROL-ENGINE Honda GCV 135  | 1                      |   |
| 67                           | 08252                               | TRAGEGRIFF, RAL2002            | GRASS CATCHER GRIP RAL2002   | 1                      |   |
| ZUBEHÖR                      |                                     |                                | ACCESSORIES  |                        |   |
| ZUB01                        | 13246                               | GEBRAUCHSANWEISUNG BH          | INSTRUCTION FOR USE BH   | 1                      |   |
| ZUB02                        | 00563                               | BRILL-SERVICE-VERZEICHNIS      | BRILL-SERVICE - BOOKLET  | 1                      |   |
| ZUB03                        | 06574                               | STECKSCHLÜSSEL DIN 659         | BOX SPANNER  | 1                      |   |
| ZUB04                        | 06591                               | DREHSTIFT DIN 900-5x100        | PIN DIN 900  | 1                      |   |
| ZUB05                        | 76012                               | ÖLFLASCHE SAE30 (optional)     | OIL SERVICE BOTTLE SAE30 (optional)  | 1                      |   |

|             |                      |              |                      |   |
|-------------|----------------------|--------------|----------------------|---|
| 4/5         | BENZIN - HATTRICK    | <b>BRILL</b> | 40 BHT - Art. 64106H |  |
| 2004        | PETROL - HATTRICK    |              |                      |   |
| Rev20060112 | Tondeuses - HATTRICK |              |                      |   |


 BENZIN - HATTRICK  
 PETROL - HATTRICK  
 Tondeuses - HATTRICK  
**40 BHT - Art. 64106H**  
 2004

**BRILL**



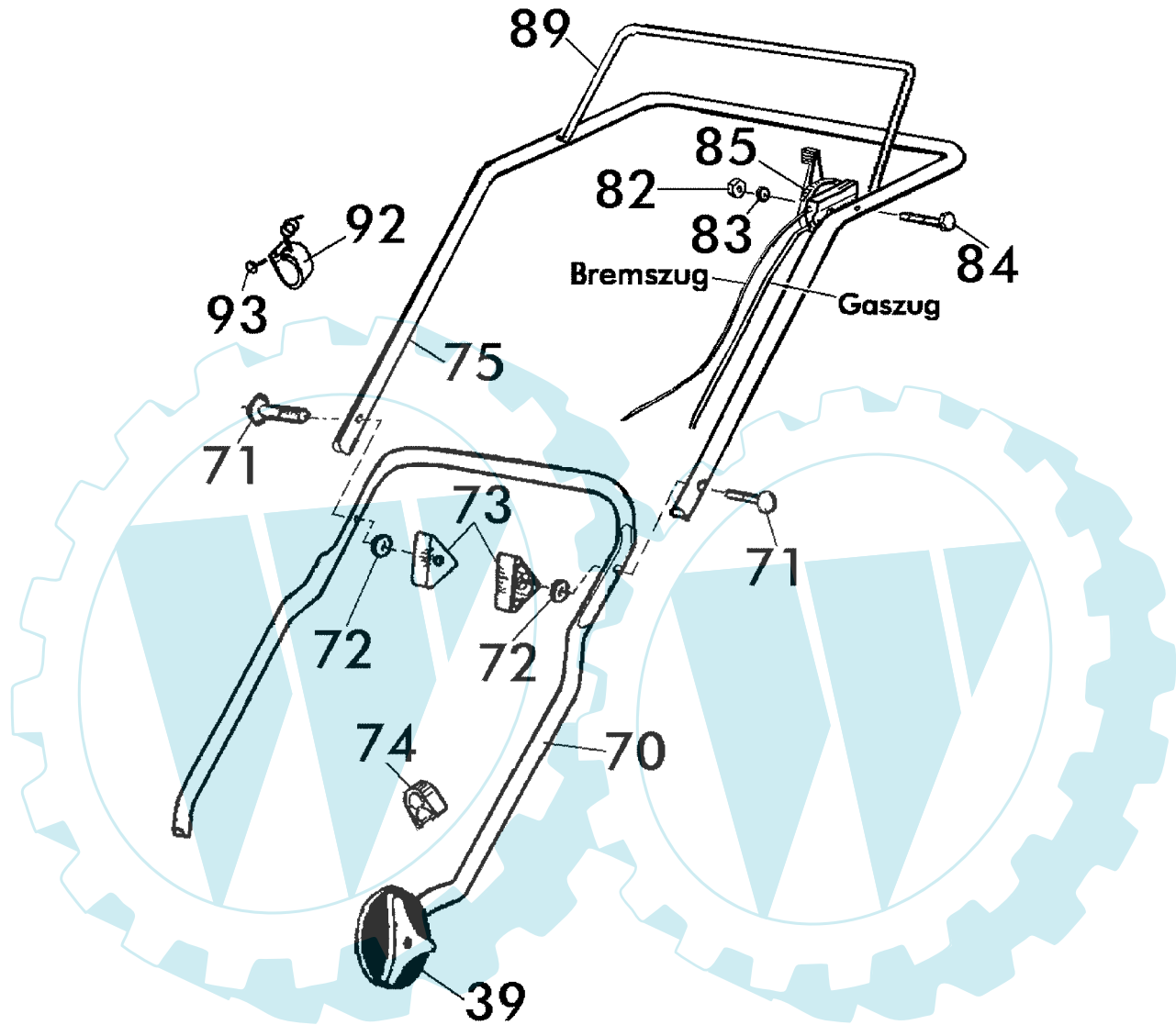
| Bild Nr.<br>REF.N°<br>POS.N° | BEST.-NR.<br>PART-N°<br>N° d. PIECE | BEZEICHNUNG                    | DESCRIPTION                | Anzahl<br>Qty.<br>Qte. |
|------------------------------|-------------------------------------|--------------------------------|----------------------------|------------------------|
| 1                            | 12888                               | GEHÄUSE BH 40                  | CHASSIS 40 BH              | 1                      |
| 2                            | 10571                               | BRILL-LOGO (KUNSTSTOFFPLATTE)  | BRILL-LOGO PLATE           | 1                      |
| 100                          | 10510                               | LAGERSCHALE, OBEN              | UPPER BEARING HOUSING      | 1                      |
| 101                          | 10265                               | ANTRIEBSWELLE KPL 40           | DRIVE SHAFT ASSY. 40       | 1                      |
| 102                          | 10241                               | KEILRIEMEN, LANG FO 8 X 660 Li | V-BELT FO 8 X 660 Li       | 1                      |
| 103                          | 10243                               | LAGERBOCK RAL9005              | BEARING SUPPORT            | 1                      |
| 104                          | 10948                               | PT-SCHRAUBE KA70X25            | PT-SCREW                   | 2                      |
| 105                          | 10509                               | LAGERSCHALE, UNTEN             | LOWER BEARING HOUSING      | 1                      |
| 106                          | 10266                               | ABTRIEBSWELLE KOMPL            | AERATOR AXLE ASSY.         | 1                      |
| 107                          | 10239                               | RIEMENABDECKUNG                | BELT COVER                 | 1                      |
| 108                          | 10242                               | KEILRIEMEN, KURZ FO Z8-300Li   | V-BELT FO Z8-300Li         | 1                      |
| 109                          | 08541                               | BLECHSCHRAUBE D 7981-4,2X32    | SCREW D 7981-4,2X32        | 2                      |
| 110                          | 10264                               | PFLEGEWALZE KPL.MONT.(78352)   | AERATOR ROLLER 40 cm ASSY. | 1                      |
| 111                          | 10238                               | LAGERSCHILD                    | BEARING HOUSING            | 1                      |
| 112                          | 10791                               | KLEMMHALTER ESK, GESTANZT      | CLAMP                      | 1                      |
| 113                          | 06823                               | SCHRAUBE DIN 7981-4,2x22       | SCREW DIN 7981-4,2x22      | 2                      |
| 114+115                      | 11064                               | SCHALTHEBEL KPL. 78070         | LEVER ASSY.                | 1                      |
| 115                          | 10834                               | GLEITRING                      | SLIDE RING                 | 1                      |
| 116                          | 06843                               | SCHEIBE DIN 9021-B5,3          | WASHER                     | 1                      |
| 117                          | 10268                               | SCHRAUBE D7981-4,8X19          | SCREW                      | 1                      |
| 118                          | 10236                               | ABDECKUNG 40 RAL2002           | COVER RAL2002              | 1                      |
| 119                          | 10237                               | SCHALTKNOPF RAL 6001           | I/O - KNOB                 | 1                      |
| 120                          | 10564                               | SEEGER-HM-RING H24             | SEEGER HALF MOON H24       | 1                      |
| 121                          | 10368                               | SCHRAUBE D7981-6,3X25          | SCREW D7981-6,3X25         | 5                      |

|             |                     |              |                      |   |
|-------------|---------------------|--------------|----------------------|---|
| 5/5         | BENZIN - HATRICK    | <b>BRILL</b> | 40 BHT - Art. 64106H |  |
| 2004        | PETROL - HATRICK    |              |                      |   |
| Rev20060112 | Tondeuses - HATRICK |              |                      |   |

 BENZIN - HATRICK  
 PETROL - HATRICK  
 Tondeuses - HATRICK  
**40 BHT - Art. 64106H**  
 2004

**BRILL**

**GESTÄNGETEILE  
 HANDLE BAR ASSY.  
 MANCHE**



| Bild Nr.<br>REF.N°<br>POS.N° | BEST.-NR.<br>PART-N°<br>N° d. PIECE | BEZEICHNUNG                   | DESCRIPTION                    | Anzahl<br>Qty.<br>Qte. |
|------------------------------|-------------------------------------|-------------------------------|--------------------------------|------------------------|
| 39                           | 08287                               | GELENKSPANNGRIFF              | LINK MOUNTING GRIP             | 2                      |
| 70                           | 10993                               | GESTÄNGE-UNTERTEIL 40/46 7021 | LOWER HANDLE BAR               | 1                      |
| 71                           | 09191                               | FORMSCHRAUBE 8x47             | SCREW 8x47                     | 2                      |
| 72                           | 06465                               | SCHEIBE DIN 125-A8,4          | WASHER                         | 2                      |
| 73                           | 08288                               | HOLMSPANNGRIFF                | TRIANGULAR TENSION GRIP        | 2                      |
| 74                           | 02750                               | KABELHALTER (optional)        | CABLE CLAMP (optional)         | 1                      |
| 75                           | 11006                               | GEST.-OBERTEIL GEL. D=22      | UPPER HANDLE BAR               | 1                      |
| 82                           | 11049                               | SKT-MUTTER DIN 985-M6         | HEX. NUT M6                    | 1                      |
| 83                           | 06839                               | SCHEIBE DIN 9021-A6,4         | WASHER                         | 1                      |
| 84                           | 11048                               | SCHRAUBE DIN 603-M6X60        | SCREW DIN 603-M6X60            | 1                      |
| 85                           | 11326                               | CAPRO-STELLTEIL GCV           | CAPRO-THROTTLE CABLE ASSY. GCV | 1                      |
| 89                           | 11724                               | BREMSBÜGEL RAL2002            | BRAKE COUPLING LINK            | 1                      |
| 92                           | 10953                               | UMLENKHALTER                  | CABLE GUIDE                    | 1                      |
| 93                           | 08722                               | BLECHSCHRAUBE DIN 7981-3,5x13 | SCREW DIN 7981-3,5x13          | 1                      |